

## 5073 Two Point Wire Grab Handle Actuator

### Features

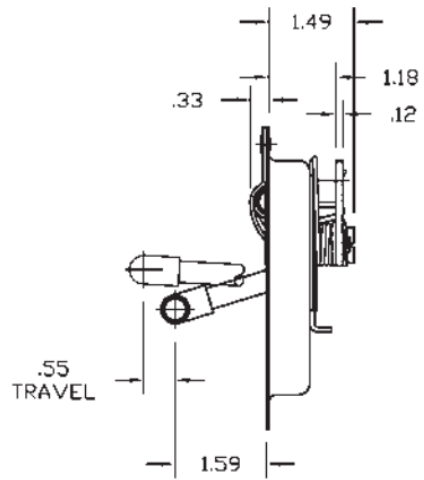
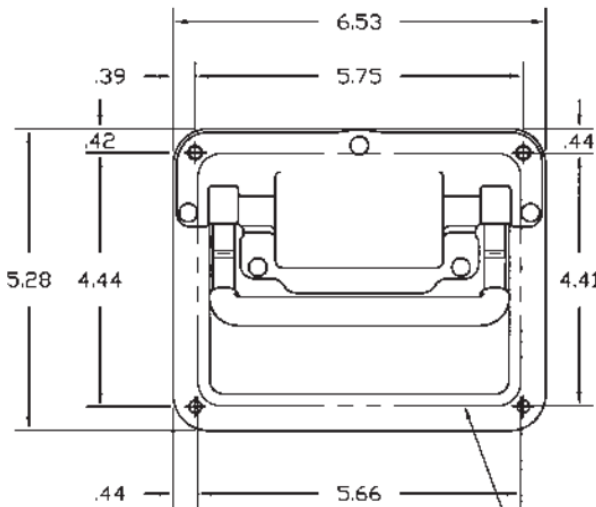
- Two-point pull handle with plastisol cover
- Two-point wire grab handle lever lock is ideal for storage containers or access doors
- Rod adapter (16619-PK) can be added to handle to create a multipoint locking system with use of rotaries or end bolts

### Material

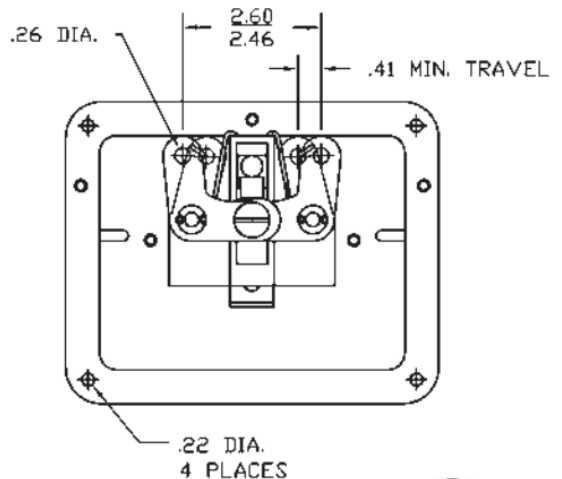
- Standard finish is zinc-plated with olive drab chromate and handle is coated with black Plastisol

### Notes

- Model 1-5073-U includes handle and gasket
- Gasket (16431) available and sold separately



SUGGESTED OUTLINE  
OF CUTOUT



Part No.	Description
1-5073	Two point handle assembly with handle
1-5073-U	Two point handle assembly with handle and gasket

Dimensions in inches